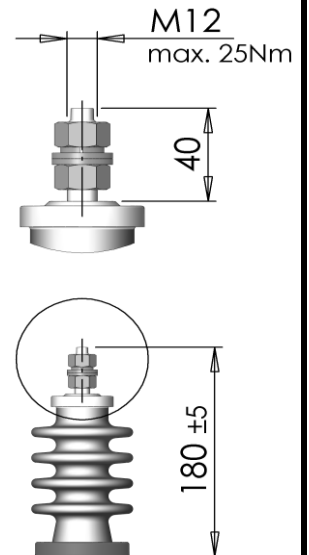


DETAIL VIEW



Total creepage [mm]	190
Air-distance [mm]	125
Dry-flashover [kV]	65
Wet-flashover [kV]	40
Drywithstand [kV]	38
Wetwithstand [kV]	28
Impulse voltage [kV]	75

$U_N$ [kV]	6,3	DISCHARGE	75V/600s (3x9M $\Omega$ )	CONNECTION	Y
$Q_N$ [kvar]	150	WEIGHT [ kg]	26	CASE MATERIAL	Stainless steel
$C_N$ [ $\mu$ F]	3x 12,03 (-5/+10%)	LIQUID CAP. [kg]	7,9	DIMENSIONS:	
$f_N$ [Hz]	50	STANDARD	IEC 60871-1/05	A [mm]	145
$I_N$ [A]	13,7	INT. FUSES	NO	B [mm]	350
BIL [kV]	20/60	SIDE BRACKETS	YES	C [mm]	570
TEMP. CAT.	-40/C	BOTTOM BRACKETS	YES	D [mm]	100
LIQUID	M-DBT (NON PCB)			DRAWN:	Stehlík J.
DRAWING No.:	4J5800Ad	TYPE:	CPEFS 23-6,3/150-C2	CHECKED:	Prokopec M.
				DATE:	16.3.2015



ZEZ SILKO s.r.o.  
Žamberk  
CZECH REPUBLIC

ZEZ SILKO s.r.o.  
Pod černým lesem 683  
564 01 Žamberk  
Czech Republic

tel.: +420 465 673 111  
fax.: +420 465 612 319  
e-mail: [zez@zez-silko.cz](mailto:zez@zez-silko.cz)  
http:// [www.zez-silko.cz](http://www.zez-silko.cz)