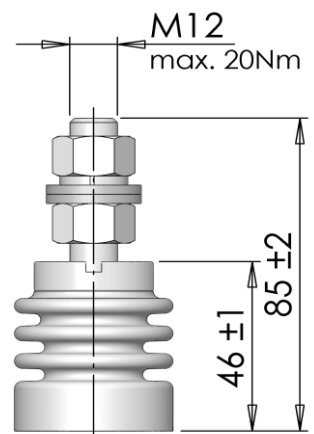
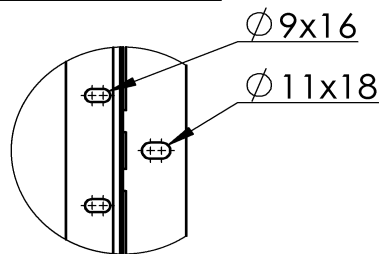
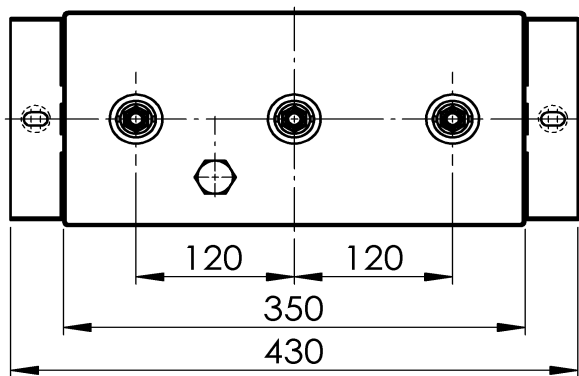


DETAIL VIEW



Total creepage [mm]	75
Air-distance [mm]	40
Dry-flashover [kV]	20
Wet-flashover [kV]	12
Drywithstand [kV]	15
Wetwithstand [kV]	10
Impulse voltage [kV]	40

U_N [kV]	1,05	PARALLEL ELEM.	10
Q_N [kvar]	250	SERIES GROUPS	1
C_N [μ F]	3x 240,6 (-5/+10%)	WEIGHT [kg]	54
f_N [Hz]	50	LIQUID CAP. [kg]	13,3
I_N [A]	137,5	STANDARD	IEC 60871-1/05
BIL [kV]	10/40	INT. FUSES	NO
TEMP. CAT.	-40/D	SIDE BRACKETS	YES
LIQUID	M-DBT (NON PCB)	BOTTOM BRACKETS	YES

DRAWING No.:	4K1009Ab	TYPE:	CPEFS 23-1,05/250/D/A-M2+D
DRAWN:		Stehlík J.	
CHECKED:		Prokopec M.	
DATE:		3.6.2015	



ZEZ SILKO s.r.o.
Žamberk
CZECH REPUBLIC

ZEZ SILKO s.r.o.
Pod černým lesem 683
564 01 Žamberk
Czech Republic

tel.: +420 465 673 111
fax.: +420 465 612 319
e-mail: zez@zez-silko.cz
http:// www.zez-silko.cz