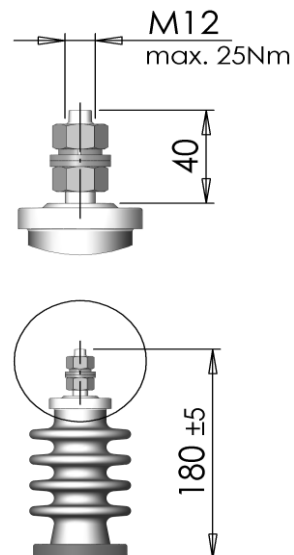
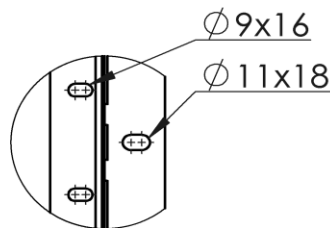
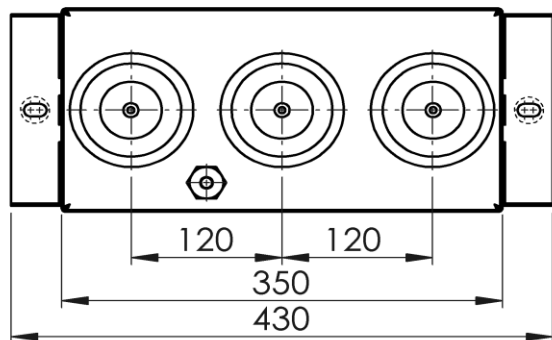


DETAIL VIEW



Total creepage [mm]	190
Air-distance [mm]	125
Dry-flashover [kV]	65
Wet-flashover [kV]	40
Drywithstand [kV]	38
Wetwithstand [kV]	28
Impulse voltage [kV]	75

U_N [kV]	6,3	PARALLEL ELEM.	10
Q_N [kvar]	450	GROUPS IN SERIES	2
C_N [μ F]	3x 36,1 (-5/+10%)	WEIGHT [kg]	60
f_N [Hz]	50,0	LIQUID CAP. [kg]	16,9
I_N [A]	41,2	STANDARD	IEC 60871-1/05
BIL [kV]	20/60	INT. FUSES	YES
TEMP. CAT.	-40/C	SIDE BRACKETS	YES
LIQUID	M-DBT (NON PCB)	BOTTOM BRACKETS	YES
DISCHARGE	75 V/600 s (3x 3,3 M Ω)		

CONNECTION	Y
CASE MATERIAL	Stainless steel
DIMENSIONS:	
A [mm]	175
B [mm]	740
C [mm]	960
D [mm]	100

DRAWING No.:	4J5782Ac	TYPE:	CPEFS 23-6,3/450/WF-C2
--------------	----------	-------	------------------------

DRAWN:	Stehlík J.
CHECKED:	Prokopec M.
DATE:	25.5.2015

	ZEZ SILKO s.r.o. Žamberk CZECH REPUBLIC	ZEZ SILKO s.r.o. Pod černým lesem 683 564 01 Žamberk Czech Republic	tel.: +420 465 673 111 fax.: +420 465 612 319 e-mail: zez@zez-silko.cz http:// www.zez-silko.cz
--	--	--	--